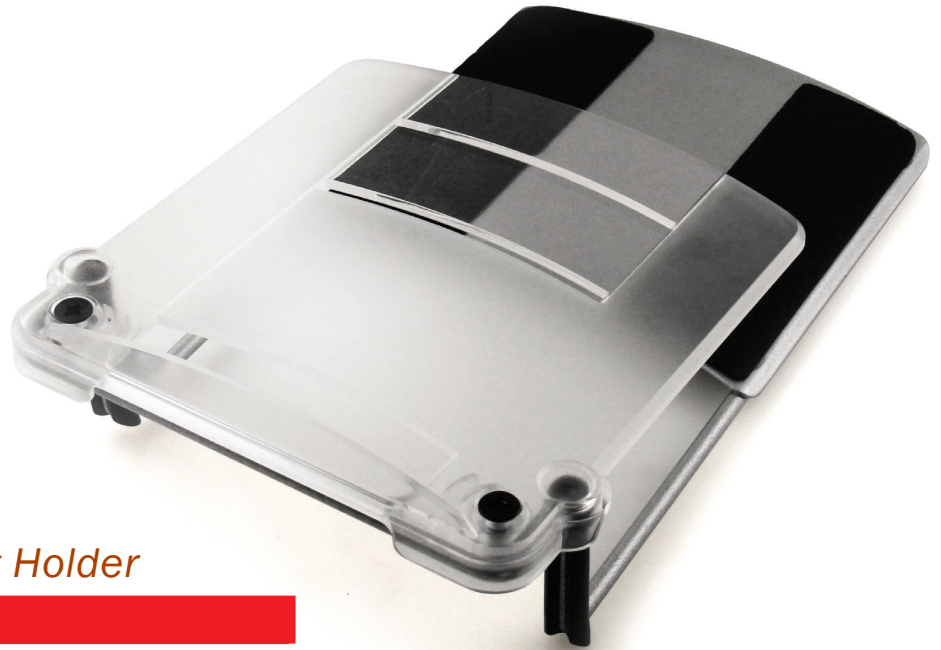




7801TDS



Laptop Support with Document Holder

Sturdy silver painted steel construction	Provides the required support for laptops
Decorative built in document holder	Supports single and multiples sheets as well as books
Non-slip contact surface	Prevents Laptop from moving during adjustments
Built in grab handle	Allows for easy adjustment and positioning
Standard VESA mounting	100mm x 100mm mounting hole pattern
Mounting hardware included	Quick and simple installation
Sized to fit most Laptops	2.0" Thick opening allows for installation of most Laptop keyboards

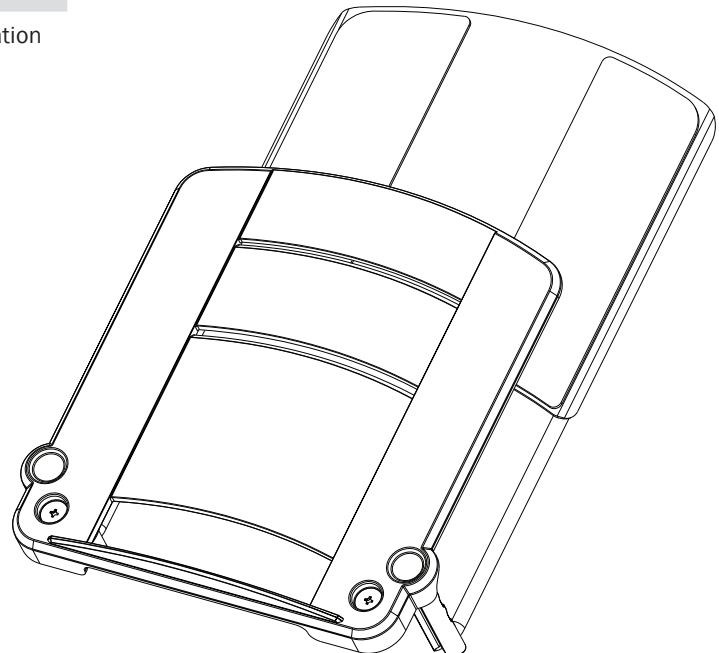
Laptop Support with Document Holder

7801TDS

Model	Height	Width	Thickness	Maximum Laptop Keyboard Thickness	Color	Weight
7801TDS	12.0"	7.0"	2.8"	2.0"	Silver	2.3 lbs



Finish: Black wrinkle paint
Code Compliance: Exceeds ANSI/BIFMA standards



NOTE: ORDER IN ADDITION TO A MONITOR ARM