



SWIFTSPACE iPad® Tablet Holder

Swiftspace introduces the 7803M series iPad® tablet holder. The innovation behind this design is its simplicity. The iPad® tablet holder mounts easily onto a standard VESA plate, making everyday tasks on your device ergonomically beneficial.

7803M series

Features & Benefits

The iPad® tablet holder mounts directly to a standard VESA 100mm x 100mm

Holds iPad® upright in landscape or portrait views

Stable steel cradle design

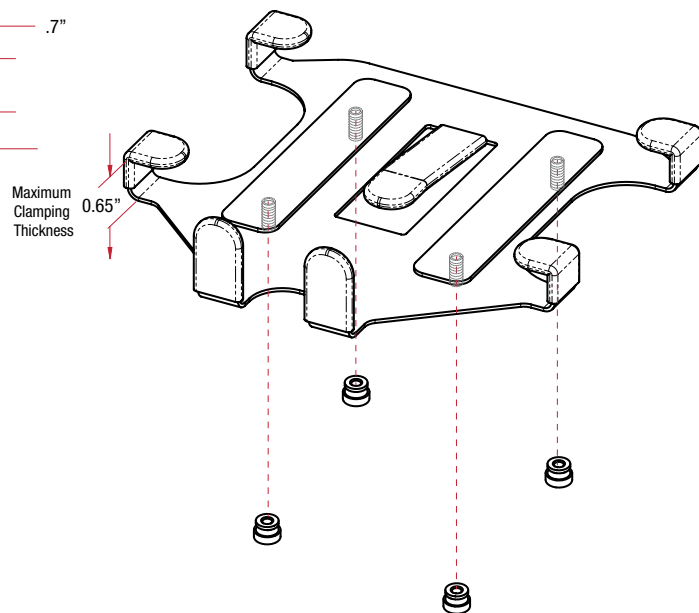
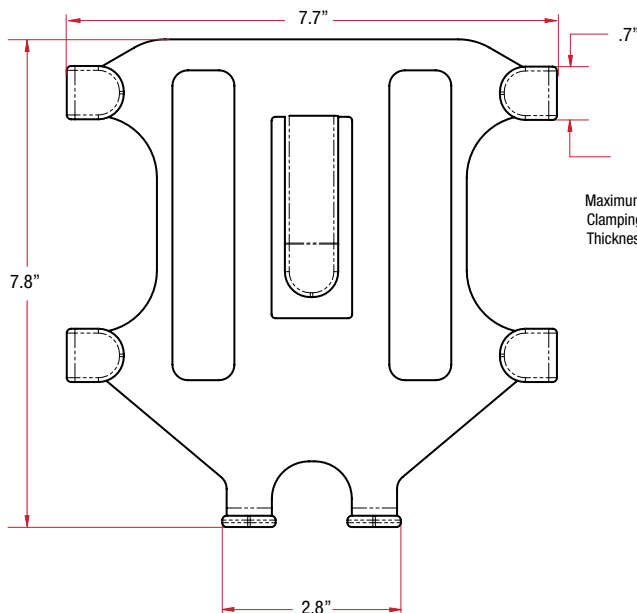
Non-slip cushioned cradle holds the iPad® firmly in place

Cradle uses a cut-out style to accommodate use of cables

Mounting hardware included

Supports 1 and 2 series iPad® models

Adjustable tab provides snug fit for iPad® 1 and 2 series thicknesses



NOTE: ORDER IN ADDITION TO A MONITOR ARM